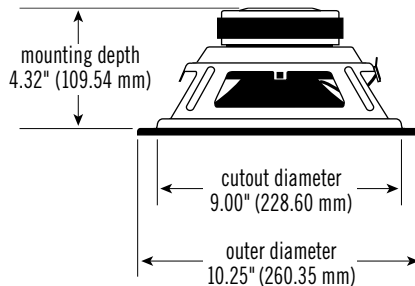


SPECIFICATIONS

DIAMETER:	10" (254.0 mm)
SENSITIVITY (2.83 V @ 1 m):	90 dB
POWER HANDLING:	300 W _{RMS}
FREQUENCY RESPONSE:	30 ~ 3,500 Hz
NOMINAL IMPEDANCE:	4 OHMS
VOICE-COIL DIAMETER:	3.0" (76.2 mm)

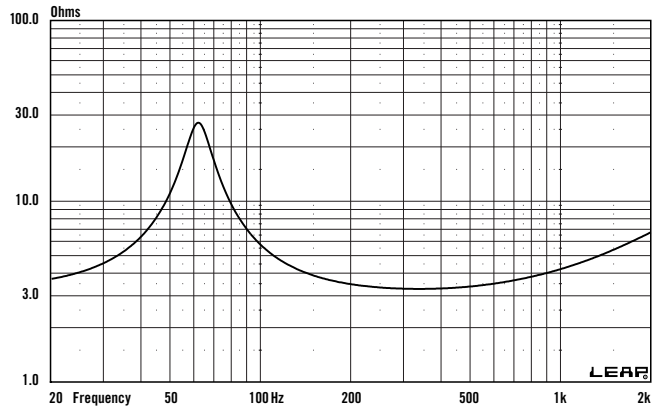
DIMENSIONS:



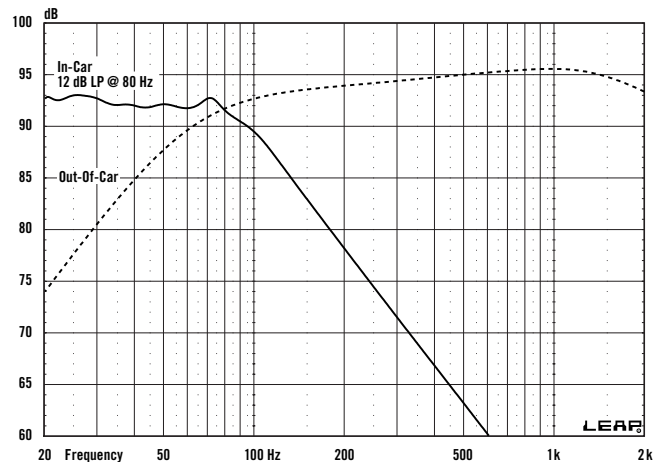
THIELE-SMALL PARAMETERS

VOICE COIL DC RESISTANCE:	R_{EVC} (OHMS)	3.20
VOICE COIL INDUCTANCE @ 1 kHz:	L_{EVC} (MH)	0.49
DRIVER RADIATING AREA:	S_D (IN ²)	53.24
	S_D (CM ²)	345.00
MOTOR FORCE FACTOR:	BL (TM)	10.04
COMPLIANCE VOLUME:	V_{AS} (FT ³)	0.81
	V_{AS} (LITERS)	18.98
SUSPENSION COMPLIANCE:	C_{MS} (μM/N)	112.29
MOVING MASS, AIR LOAD:	M_{MS} (GRAMS)	58.68
MOVING MASS, DIAPHRAGM:	M_{MD} (GRAMS)	55.00
FREE-AIR RESONANCE:	F_S (Hz)	62.00
MECHANICAL Q:	Q_{MS}	5.44
ELECTRICAL Q:	Q_{ES}	0.73
TOTAL Q:	Q_{TS}	0.64
MAGNETIC-GAP HEIGHT:	H_{AG} (IN)	0.28
	H_{AG} (MM)	7.11
VOICE-COIL HEIGHT:	H_{VC} (IN)	0.75
	H_{VC} (MM)	19.05
MAXIMUM EXCURSION:	X_{MAX} (IN)	0.24
	X_{MAX} (MM)	5.97

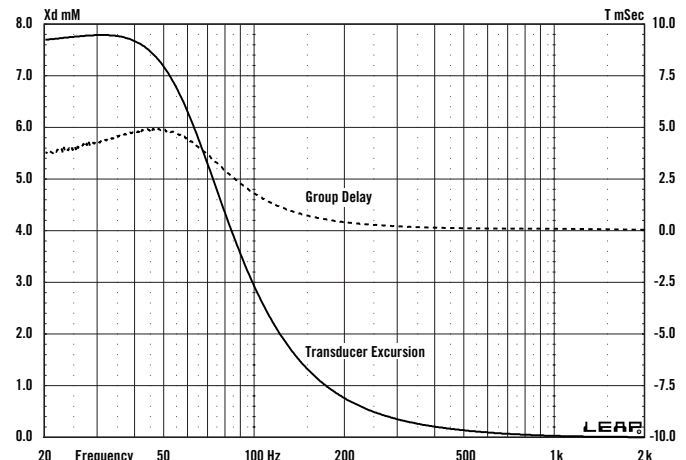
IMPEDANCE CURVE



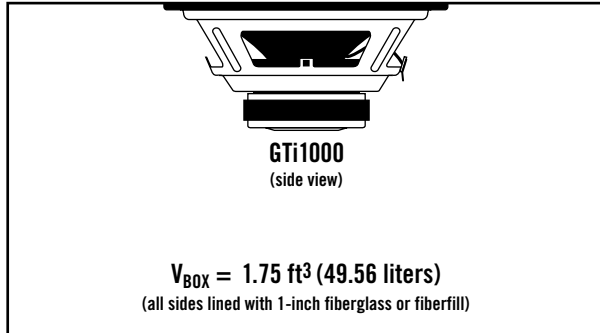
INFINITE BAFFLE FREQUENCY RESPONSE @ 2.83 V



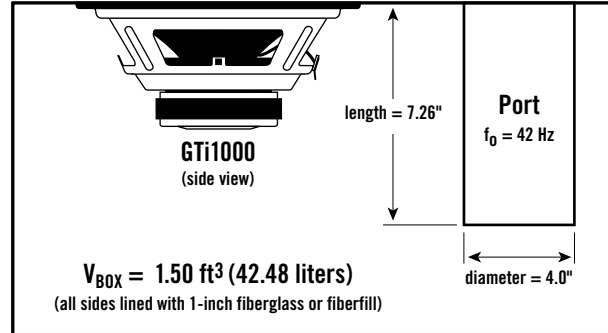
INFINITE BAFFLE EXCURSION/GROUP DELAY @ 100 W



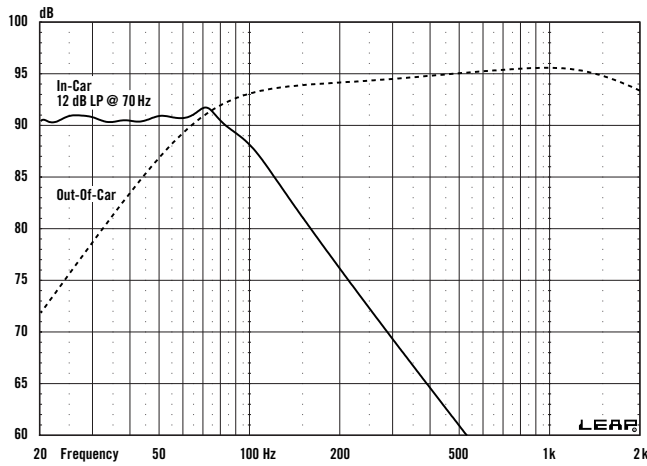
SEALED BOX VOLUME



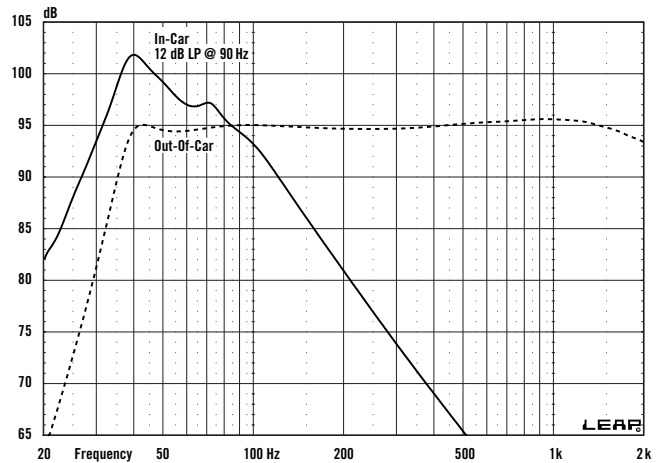
VENTED BOX VOLUME



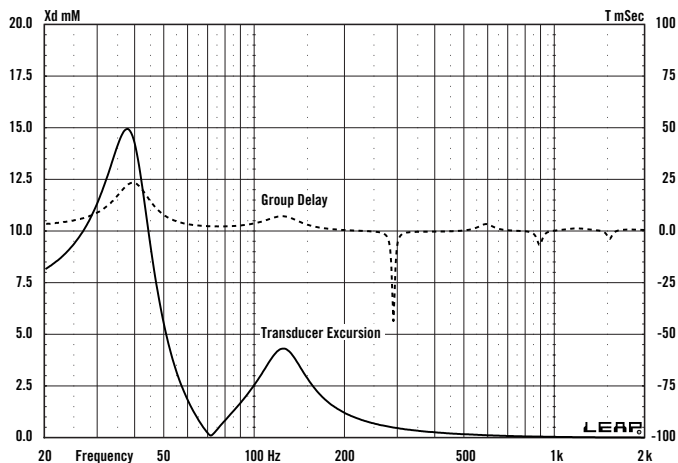
SEALED FREQUENCY RESPONSE @ 2.83 V



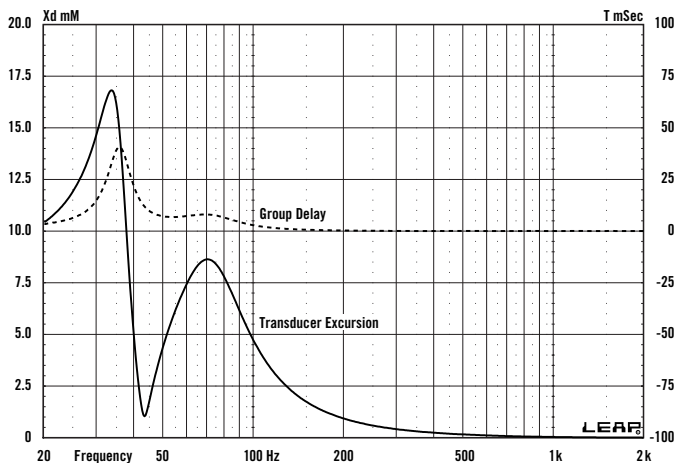
VENTED FREQUENCY RESPONSE @ 2.83 V



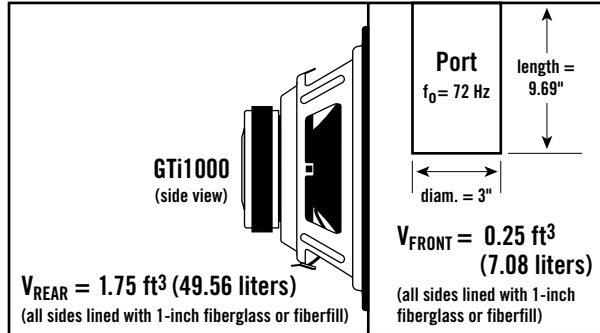
SEALED EXCURSION/GROUP DELAY @ 300 W



VENTED EXCURSION/GROUP DELAY @ 375 W

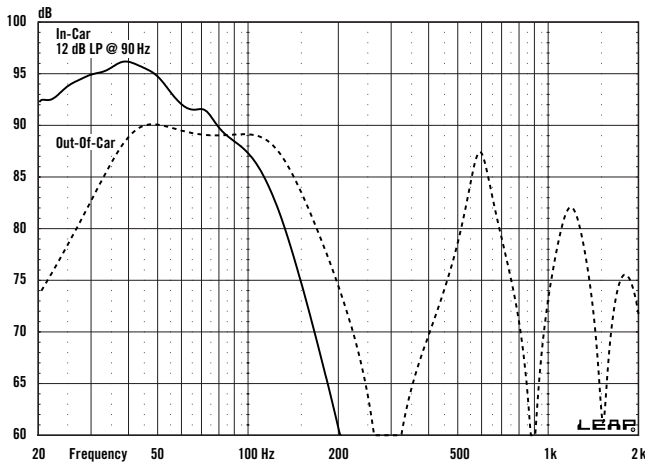


SEALED BANDPASS BOX VOLUME



NOTES

SEALED BANDPASS FREQUENCY RESPONSE @ 2.83 V



SEALED BANDPASS EXCURSION/GROUP DELAY @ 300 W

